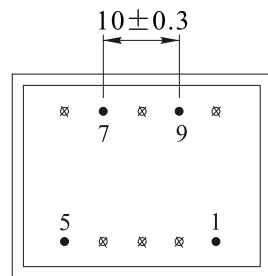
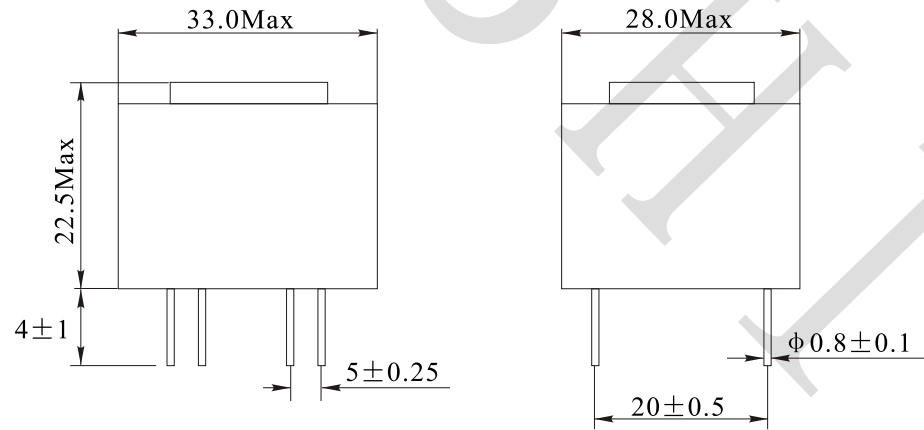


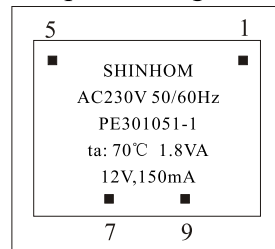
Rev.	Description	Date
A0	New release	2022.05.18

1. PHYSICAL CHARACTERISTICS (mm)

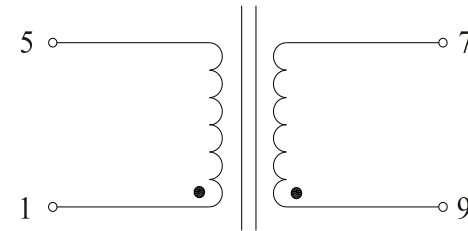


Bottom view

Top marking



2. ELECTRONICAL SCHEMATIC



3. ELECTRONICAL SPECIFICATIONS

- Pri voltage: 230V, 50Hz
- Sec load voltage: 12.0V ± 0.5V @ 150mA
- Noload voltage: 17.5V ± 0.5V
- Output Power: 1.8VA
- Hi-Pot: 4000V, 50Hz, 1mA, 10S Pri to Sec

Note:

1. Solderability: leads shall meet MIL-STD-202, Method 208D for solderability.
2. Flammability: UL94V-0
3. ASTM oxygen index: >28%

NOTES:

Temp 20°C 48%RH
RoHS Compliant

NAME:	Potting Transformer		
CUSTOMER P/N:	BV EI 302 2022	DATE:	2022-05-18
SHINHOM P/N:	PE301051-1	REV: A0	PAGE
DRAWN BY	CHECKED BY	APPROVE BY	



SHINHOM
SHAANXISHINHOM ENTERPRISE CO LTD

The Document property belong to SHINHOM & is not allowed to be duplicated without authorization