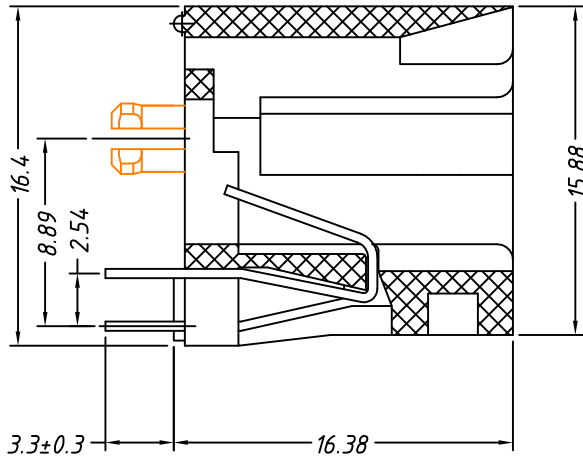
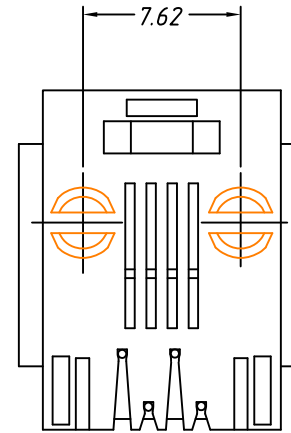


With Panel



SECTION A-A



Material:
 Housing: PBT+Glass Filled Polyester
 Flammability Rating : UL94 V-0
 Contacts: Phosphor Bronze $\phi 0.46\text{mm}$
 Plating: Gold Plating

Electrical:
 Voltage Rating: 125VAC
 Current Rating: 1.5A
 Contact Resistance: 30m Ω Max.
 Insulation Resistance: 500M Ω Min.
 Dielectric Strength: 1000VAC Rms 50Hz,1 Min.
 Durability: 600 cycles Min.
 Operation Temperature:-40°C~+70°C

Order Information

L-KLS12-153-4P4C-X-X-1-XX

RoHS

Contacts: 4P4C

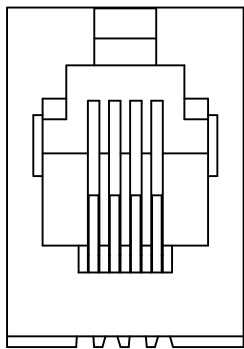
Panel Code: W-with Panel
 W/O-without Panel

Peg Code: L-L Peg S-Split Peg

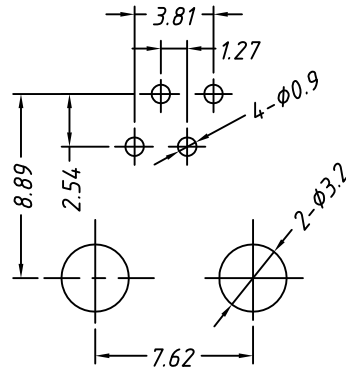
Color Code: 1-Black

Plating Code:

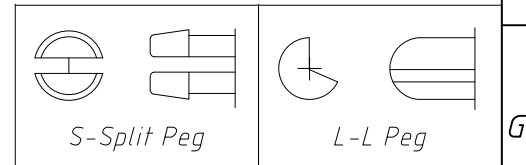
- 01-Fu" Gold Plating
- 02-3u" Gold Plating
- 03-6u" Gold Plating
- 04-15u" Gold Plating
- 05-30u" Gold Plating



Without Panel



PCB Layout



GENERAL TOLERANCE	PROJECTION		Description:
X. ± 0.30	UNITS	mm	RJ11-4P4C Vertical Modular jacks,Black
.X ± 0.25	SCALE	1:1	
.XX ± 0.20	Draw by:	Jenny	
ANGLE TOLERANCE	Check by:	Daniel	KLS P/N: L-KLS12-153-4P4C-X-X-1-XX
X. $\pm 3^\circ$	Date	2019-12-26	NingBo KLS ELECTRONIC CO.,LTD.
.X $\pm 2^\circ$	SHEET	1 OF 1	
.XX $\pm 1^\circ$			