



# HJQ-15F-1

## SPECIFICATION

FILE NUMBER: P-08KD501A

DATE: 2001/11/02



### ■ Features

QC & PC terminals

High dielectric strength 3000VAC

Optional flanged case for panel mounting

### ■ CONTACT DATA

Contact Form	1A,1B,1C
Contact Material	AgCdO AgSnO
Contact Ratings	1A: 25A 240VAC/20A 28VDC 30A240VAC 1B: 15A 240VAC/10A 28VDC 20A240VAC 1C: 20/10A 240VAC/28VDC
Max Switching Voltage	250VAC/30VDC
Max Switching Current	30A
Max Switching Power	6000VA/560W
Contact Resistance	100m Ω Max at 6VDC 1A
Life Expectancy Electrical	100,000 Operations(at30Operations/minute)
Mechanical	10,000,000 Operations

### ■ GENERAL DATA

Insulation Resistance	100M Ω Min at 500VDC	
Dielectric Strength Between Open Contacts	1500VAC(1min 1mA)	
Between Contacts and coil	1500VAC(1min 1mA)	
Operate Time	15ms	
Release Time	10ms	
Temperature Range	-40°C to+70 °C	
Shock Resistance	Operating Extremes	10G
	Damage Limits	100G
Vibration Resistance	10-55Hz,1.5mm	
Humidity	40-85%	
Weight	Approx. 36g	
Safety Standard	CCEE:CH0064848-2001	

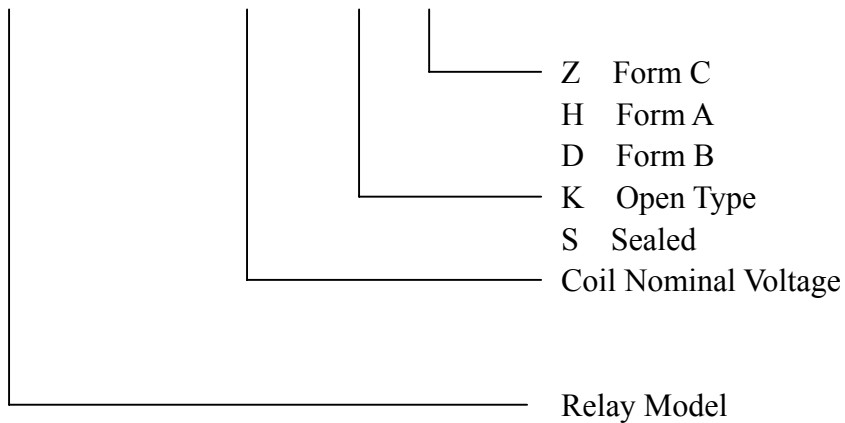


■ COIL DATA

Nominal Voltage (VDC)	Coil Resistance at 20±10%(Ω)			Max Operate Voltage VDC	Min Release Voltage VDC	Max Applicable Voltage VDC
			0.93W			
3			9.7	2.25	0.3	3.9
5			26.9	3.75	0.5	6.5
6			38.8	4.5	0.6	7.8
9			87.1	6.75	0.9	11.7
12			154.9	9	1.2	15.6
24			619.4	18	2.4	31.2
48			2477.5	36	4.8	62.4

■ ORDERING CODE

HJQ-15F-1-----12VDC----S---Z





OVERALL AND MOUNTING DIMENSIONS

HJQ-15F-1

