

FYL- 3034XXX1E

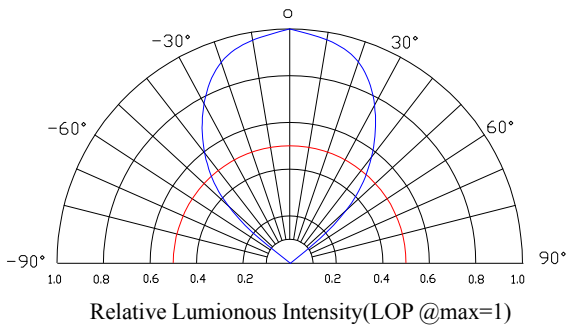
Features:

- General purpose leads
- RoHs compliant.

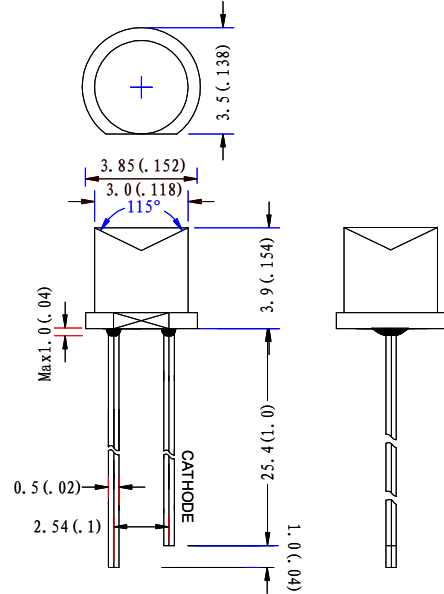
Descriptions:

- Dice material: GaP/GaAsP/InGaN/AlGaInP.
- Device Outline: $\Phi 3\text{mm}$ concave Type.

Radiation pattern.



Package configuration



- ◆ All dimensions are millimeters (inches)
- ◆ Tolerance is $\pm 0.25\text{mm}$ (.010") unless otherwise noted.

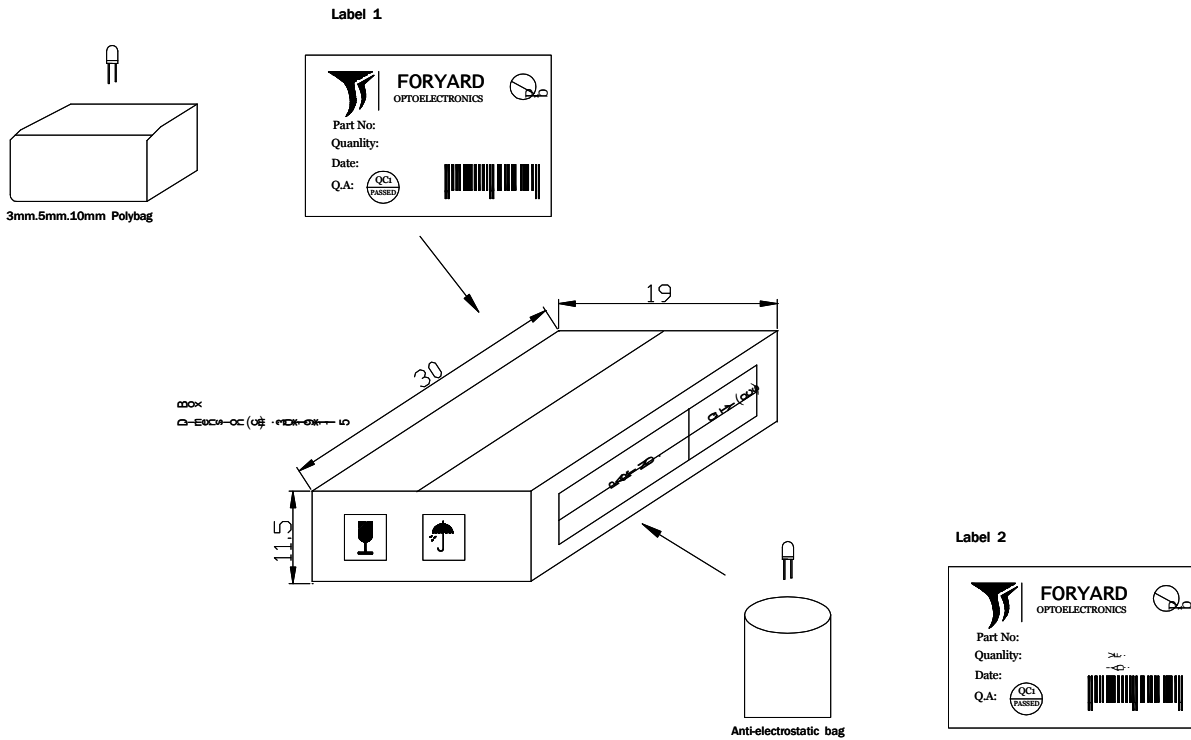
Absolute maximum ratings(Ta=25 °c)

Parameter	MAX.	Unit
Continuous Forward Current	20	mA
Derating Linear From 50°C	0.4	mA/°C
Reverse Voltage	5	V
Operating Temperature Range	-30°C to +80°C	
Storage Temperature Range	-40°C to +100°C	
Lead Soldering Temperature[4mm(.157") From Body]	260°C for 5 Seconds	

Optical Characteristics at TA = 25° C

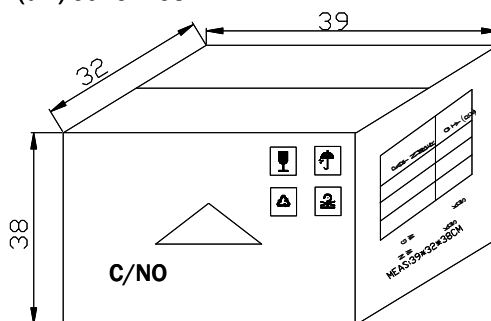
Part Number	Lens Color	Wavelength (nm)	Intensity (mcd)	Angle 2 θ 1/2
FYL-3034HC1E	Water Clear	700	30	85
FYL-3034SRC1E	Water Clear	660	60	85
FYL-3034EC1E	Water Clear	625	45	85
FYL-3034YC1E	Water Clear	588	40	85
FYL-3034GC1E	Water Clear	568	35	85
FYL-3034LRC1E	Water Clear	660	260	85
FYL-3034SURC1E	Water Clear	630	350	85
FYL-3034NURC1E	Water Clear	630	460	85
FYL-3034SUAC1E	Water Clear	610	350	85
FYL-3034SUYC1E	Water Clear	588	320	85
FYL-3034NUYC1E	Water Clear	588	430	85
FYL-3034SUGC1E	Water Clear	568	280	75
FYL-3034PGC1E	Water Clear	520	3500	75
FYL-3034BGC1E	Water Clear	505	3000	75
FYL-3034UBC1E	Water Clear	470	1500	75
FYL-3034VC1E	Water Clear	410	90(mW)	75
FYL-3034UWC1E	Water Clear	X:0.29 Y:0.30 / 9500k	1000	85
FYL-3034UWC1E-UWW	Water Clear	X:0.40 Y:0.39 / 3500k	1000	85

LAMP PACKING.



DEVICE	QTY/polybag(pcs)	Polybag/box A	Fig
5mm(T-1 3/4)	1000	8 bags	Label 1
3mm(T-1)	1000	10 bags	Label 1
10mm(T-1)	250	8 bags	Label 1
Blue/Green/White	500pcs	8 bags	Label 2

CARTON
Dimension(cm):39*32*38



6 Boxes/Carton
5mm:48,000pcs
3mm:60,000pcs
10mm:12,000pcs
Blue/Pure Green/bluish Green
/White:24,000pcs