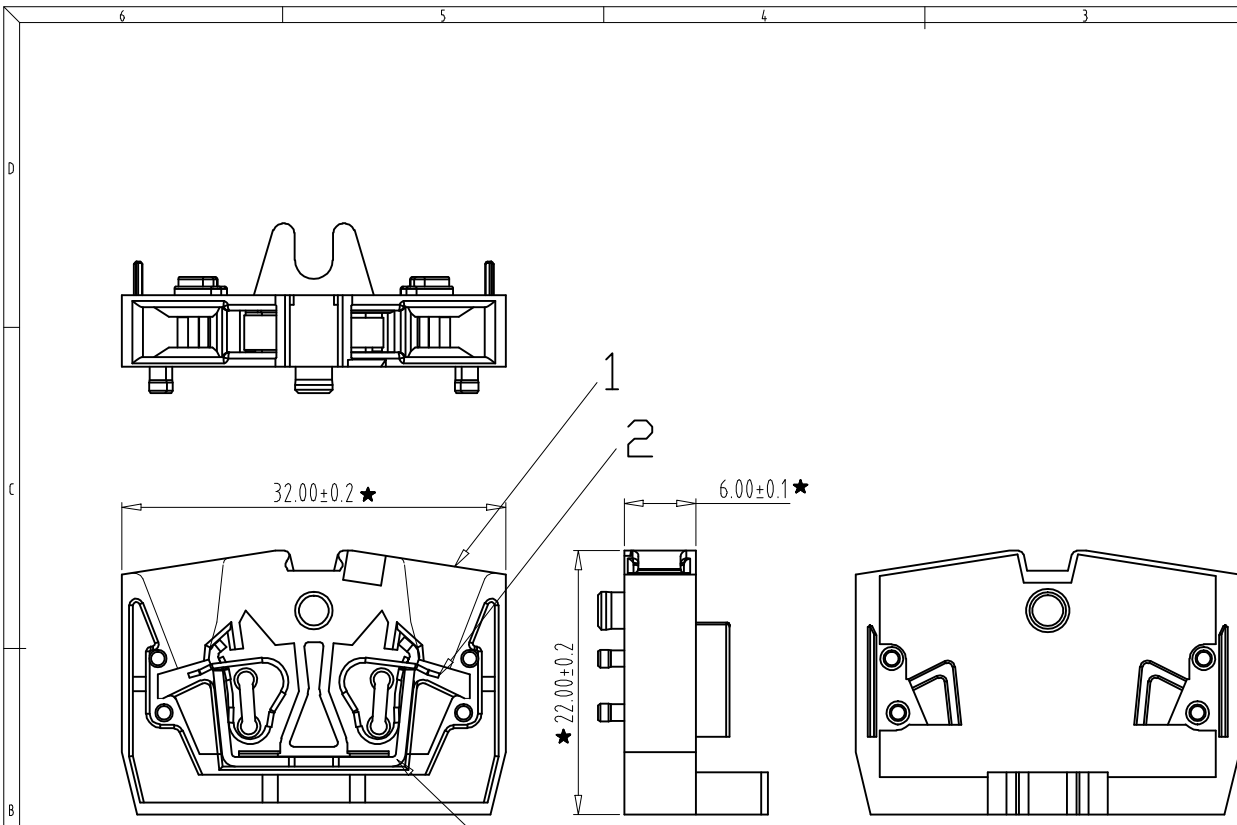


REV	CONTENT	CHK	DATE
V0.0	CONTENT	SYJ	24.07.30

Electrical :

- 1.Rated Voltage : **800V**
- 2.Rated Current : **24A**
- 3.Wire Range: **28-14AWG 0.2-2.5mm²**
- 4.Stripping Length : **8-9mm**
- 5.Operating Temperature : **-40°C~+105°C**
- 6.RoHS Compliance
- 7."**★**" is the key quality control point



- | | | | | | |
|--------------|---|-----------------------|-------|-------------|---|
| GW | 2.5 | - 2 | - E | - C0 | - X |
| ① | ② | ③ | ④ | ⑤ | ⑥ |
| ① Series NO. | ② Wire diameter
0.2-2.5mm ²
28-14AWG | ③ Connection quantity | ④ END | ⑤ Sub model | ⑥ Color:
GY-Grey
BU-Blue
BK-Black
GN-Green
OG-Orange
RD-Red
YE-Yellow
WH-White
PE-Yellow & Green
BE-Beige |

3	CONDUCTOR	XX	1	Copper alloy	Tin Plated
2	SPRING	XX	2	Stainless Steel	/
1	HOUSING	XX	1	PA66 UL94V-0	SEE NOTE
ITEM	NAME OF PART	NO. OF PART	Q'TY	MATERIAL	NOTE
DWG.	SYJ	DATE	24.07.30	SIZE	A4 UNITS mm SHEET/OF 1/1
CHK.		DATE		SCALE	1:1
APP.		DATE		NAME	GW2.5-2-E-C0-X
宁波冠泰电子有限公司 NINGBO GOLTEN ELECTRONICS CO., LTD.				DWGNO.	XXXXX

Total Pitch Tolerances in mm										Nominal dimension range in mm										⊥	≡	—	//		
over 0	over 30	over 53	over 70	over 90	over 115	over 150	over 251	over 350	over 500	over 0	over 30	over 53	over 70	over 90	over 115	over 150	over 200	over 250	over 320	over 0	over 10	all	over 0	over 100	over 150
±0.18	±0.20	±0.25	±0.3	±0.35	±0.44	±0.60	±0.70	±0.85	±0.20	±0.25	±0.30	±0.35	±0.44	±0.55	±0.70	±0.80	±0.90	0.2	0.3	0.3	0.2	0.3	0.5		