

### Features

- 4.5V to 40V Wide Input Range
- 3A Continuous Output Current
- 120mΩ/80mΩ Internal Power MOSFETs
- Constant On Time Control for Fast Loop Response
- 520KHz Switching Frequency
- Audio Mode at Light Load
- Support Up to 98% Large Range Duty Cycle
- Internal Soft Start
- Output Voltage adjustable from 0.6V
- Support Pre-Biased Output Startup
- Full Protection, Over Current Protection and Hiccup, Output Over Voltage Protection, FB Open Short Protection, Over Temperature Protection
- Available in an ESOP8 Package

### Applications

- Robots
- Home Appliance and Whitegoods
- Multi-functional Printer
- Soundbar
- Industrial Control

### Overview

The HE9430 is an easy to use synchronous step-down Buck. Which integrated low on resistance high-side and low-side power MOSFETs. The HE9430 can deliver 3A of output current efficiently with constant on time (COT) control for fast loop response. The HE9430 achieves high power conversion efficiency over a wide load range by scaling down the switching frequency under light-load conditions to gate driving losses. The HE9430 has built-in protection features, such as cycle-by-cycle current limit, hiccup mode short-circuit protection, FB open short protection and thermal shutdown in case of excessive power dissipation. The HE9430 is available in a space-saving eSOP8L package.

### Typical Application

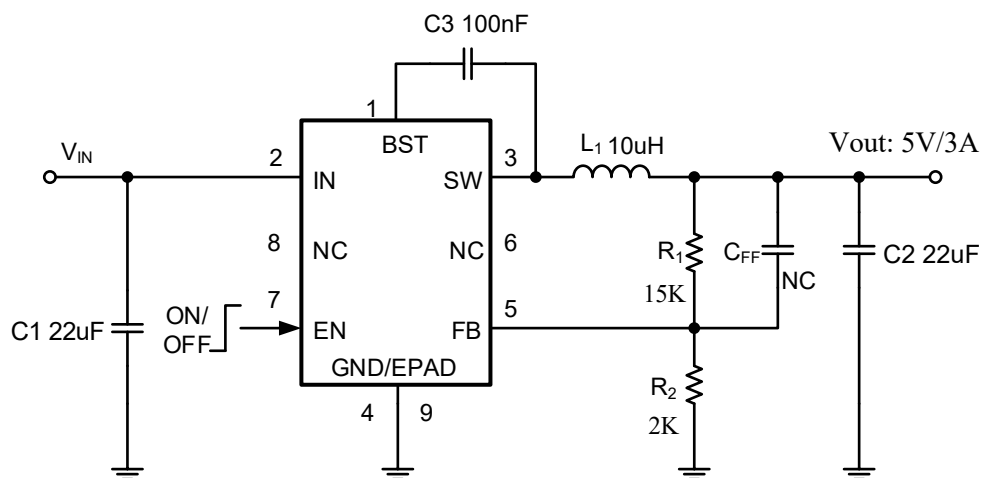
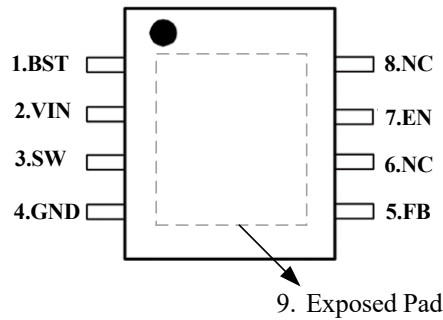


Figure 1. Basic Application Circuit

## Package Mark and Order Information

Device	Package	Temperature range	Packaging Type	Purchase Contact
HE9430	ESOP8	-40 to 150°C	T/R 2500pcs/roll	lzy@he-mic.com

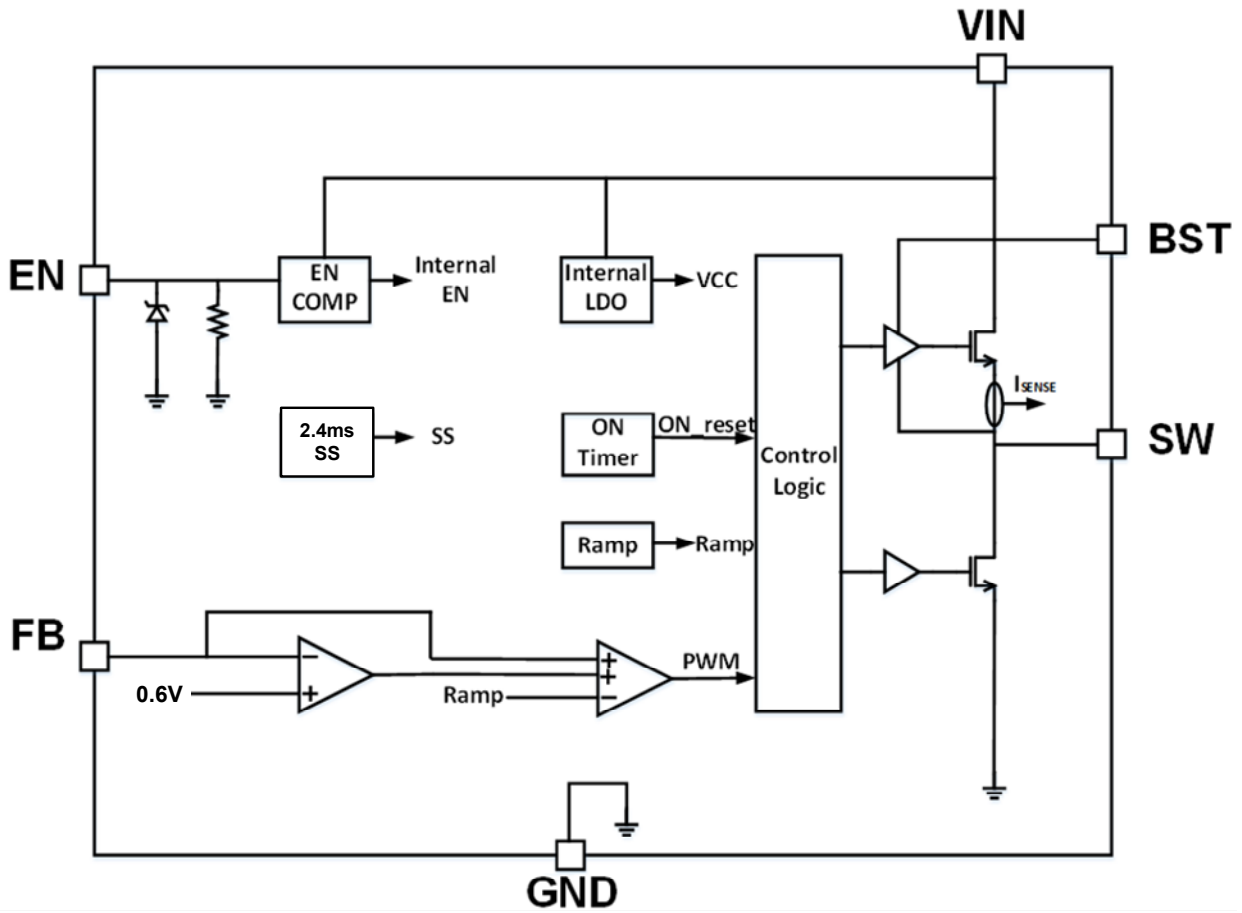
## Pin Diagram



## Pin Description

Pin No.	Symbol	Pin Description
1	BST	Bootstrap capacitor connection for high-side FET driver. Connect a high quality 100nF capacitor from this pin to the SW pin.
2	VIN	Supply input terminal to internal bias LDO and high-side FET. Connect to input supply and input bypass capacitors CIN. Input bypass capacitors must be directly connected to this pin and GND.
3	SW	Switching output of the convertor. Internally connected to source of the high-side FET and drain of the low-side FET. Connect to power inductor.
4	GND	Power Ground terminal.
5	FB	Feedback input to the convertor. Connect a resistor divider to set the output voltage. Never short this terminal to ground during operation.
6,8	NC	Not Connected.
7	EN	Precision enable input to the convertor. Do not float. High = on, Low = off. Can be tied to VIN by a resistor. Precision enable input allows adjustable UVLO by external resistor divider.
9	EP	Exposed Pad. Connect this pad to GND.

**Block Diagram**



## Absolute Maximum Ratings (Note 1)

T<sub>A</sub>=25°C, unless otherwise specified.

Symbol	Definition	Ratings	Unit
V <sub>IN</sub>	V <sub>IN</sub> to GND	-0.3~45	V
SW	SW to GND	-0.7 (-5V in 10ns)~V <sub>IN</sub> + 0.7	V
EN	Max Input current to EN pin	100 <sup>(2)</sup>	μA
BST	BST to SW	-0.3~6	V
All Other Pins		-0.3~6	V
T <sub>STG</sub>	Storage temperature	-55 to150	°C
T <sub>j</sub>	Junction temperature	-40 to150	°C

Note 1: Stresses beyond those listed under “absolute maximum ratings” may cause permanent damage to the device. These are not tested at manufacturing.

Note 2: For details on ENs ABS max rating, please refer to the Enable Control section.

## Recommended Operating Conditions

Symbol	Definition	Ratings	Unit
BST	BST to SW	4~5	V
FB	FB to GND	0~1	V
EN	EN to GND	0~5	V
V <sub>IN</sub>	V <sub>IN</sub> to GND	4.5~40	V
V <sub>OUT</sub>	V <sub>OUT</sub> to GND	0.6~V <sub>IN</sub> *D <sub>MAX</sub> <sup>(3)</sup> or V <sub>OUT</sub> < 1.8V	V
I <sub>OUT</sub>	Max Continuous Output Current	3	A

Note 3: D<sub>MAX</sub> = T<sub>ON\_MAX</sub> / (T<sub>ON\_MAX</sub> + T<sub>OFF\_MIN</sub>). Typical value is 98%.

## Thermal Resistance (Note 4)

Symbol	Definition	Ratings	Unit
R <sub>θJC(TOP)</sub>	Junction to case (top) thermal resistance	52	°C/W
R <sub>θJC(BOT)</sub>	Junction to case (bottom) thermal resistance	2.3	°C/W
R <sub>θJA</sub>	Junction to ambient thermal resistance	48	°C/W

Note 4: Measured on JESD51-7, 4-Layer PCB, and the PCB has no copper for thermal dissipation. Normal PCB with copper thermal resistance will be smaller.

## ESD Rating

Symbol	Definition	Ratings	Unit
HBM	Human body model	± 2000	V
CDM	Changed device model	± 500	V

## Electrical Characteristics

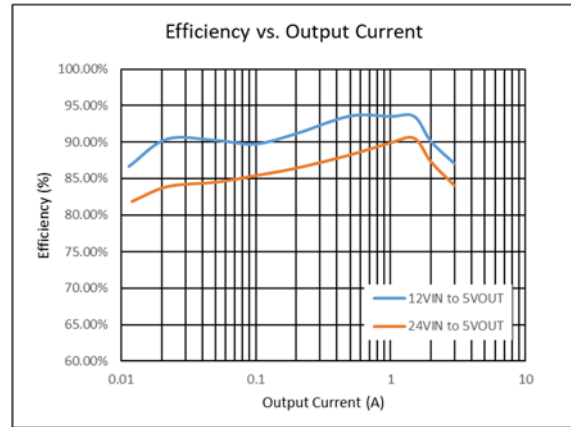
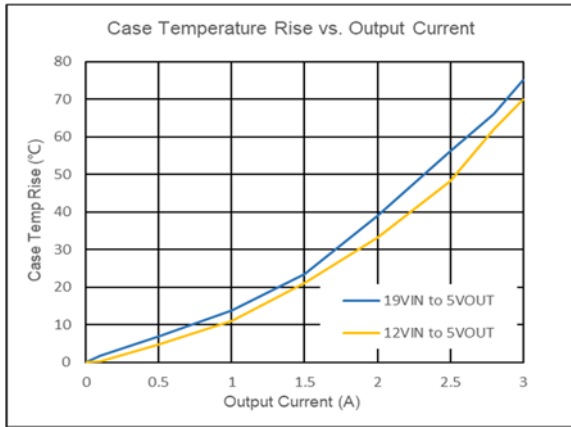
$V_{IN}=12V$ ,  $V_{EN}=2V$ ,  $T_A=25^{\circ}C$ , unless otherwise specified.

Symbol	Parameter	Condition	Min	Typ	Max	Units
$V_{IN_{UVR}}$	VIN UVLO rising threshold		4.1	4.25	4.4	V
$V_{IN_{UVF}}$	VIN UVLO falling threshold		3.85	4.0	4.15	V
$V_{IN_{UV\_hys}}$	VIN UVLO hysteresis			0.25		V
$I_{QS}$	Shutdown supply current	$V_{EN} < 0.3V$ , $V_{IN}=24V$		1	3	$\mu A$
$I_Q$	Quiescent supply current	No load, $V_{FB} = 0.83V$ , no switching		160		$\mu A$
$LK_{HS}$	High-side leakage	$V_{EN} = 0V$ , $V_{SW} = 0V$			1	$\mu A$
$LK_{LS}$	Low-side leakage	$V_{EN} = 0V$ , $V_{SW} = 45V$			1	$\mu A$
$V_{FB}$	Feedback voltage		584	596	608	mV
$V_{FB\_SHORT}$	FB short threshold			280		mV
$I_{LK\_FB}$	Feedback leakage	$V_{EN} = 1V$ , $V_{FB} = 2V$			0.1	$\mu A$
$R_{ON\_HS}$	High-side switch on resistance	$V_{BST} - V_{SW} = 5V$		120		m $\Omega$
$R_{ON\_LS}$	Low-side switch on resistance	$V_{IN} = 12V$		80		m $\Omega$
$I_{LIM\_LS}$	Low-side Current limit			3.7		A
$T_{SS}$	Soft-start time	$V_{FB}$ from 0% to 100%		2.4		ms
$F_{SW}$	Oscillator frequency		440	520	600	KHz
$T_{ONMIN}^{(5)}$	Minimum switch on time			80		nS
$T_{OFFMIN}^{(5)}$	Minimum switch off time			120		nS
$T_{ONMAX}^{(5)}$	Maximum switch on time		5.2	6.4		$\mu S$
$D_{MAX}$	Max duty cycle			98%		%
$V_{EN\_R}$	Enable rising threshold	Low to high	1.1	1.2	1.3	V
$V_{EN\_F}$	Enable falling threshold	High to low	0.9	1	1.1	V
$V_{EN\_Hys}$	Enable Threshold Hysteresis			0.2		V
$R_{EN}$	Enable input resistor.			1500		k $\Omega$
$T_{OTP\_R}^{(5)}$	Thermal shutdown			150		$^{\circ}C$
$T_{OTP\_Hys}^{(5)}$	OTP hysteresis			20		$^{\circ}C$

5) Not tested in production and derived from bench characterization.

### Typical Performance Characteristic

$V_{IN} = 12V$ ,  $V_{OUT} = 5V$ ,  $C1 = 10\mu F$ ,  $C2 = 22\mu F$ ,  $L1 = 10\mu H$ , and  $T_A = +25^\circ C$ , unless otherwise noted.

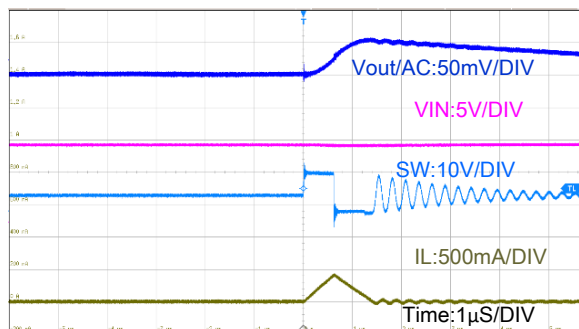


### Typical Performance Characteristic *(continued)*

$V_{IN} = 12V$ ,  $V_{OUT} = 5V$ ,  $C1 = 10\mu F$ ,  $C2 = 22\mu F$ ,  $L1 = 10\mu H$ , and  $T_A = +25^\circ C$ , unless otherwise noted.

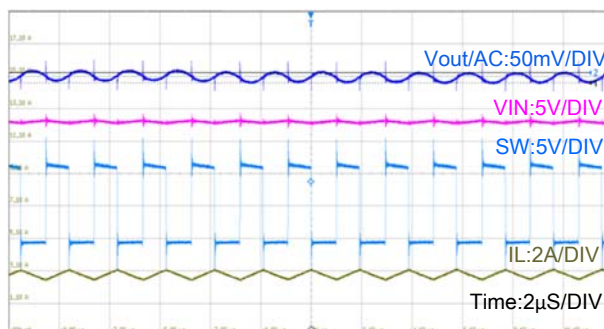
#### Output Voltage Ripple

$I_{OUT} = 0A$



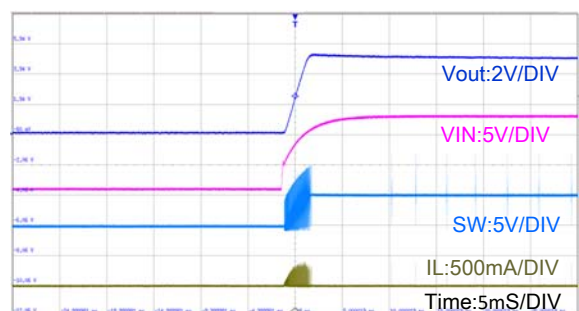
#### Output Voltage Ripple

$I_{OUT} = 3A$



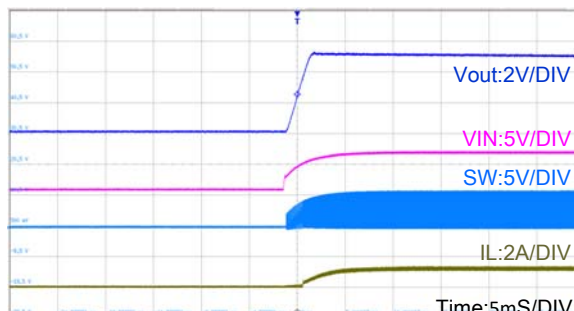
#### Start-Up through $V_{IN}$

$I_{OUT} = 0A$



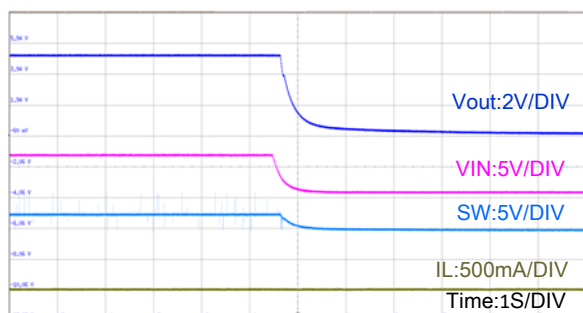
#### Start-Up through $V_{IN}$

$I_{OUT} = 3A$



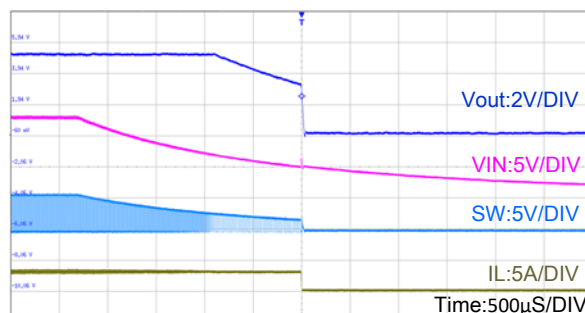
#### Shut-Down through $V_{IN}$

$I_{OUT} = 0A$



#### Shut-Down through $V_{IN}$

$I_{OUT} = 3A$

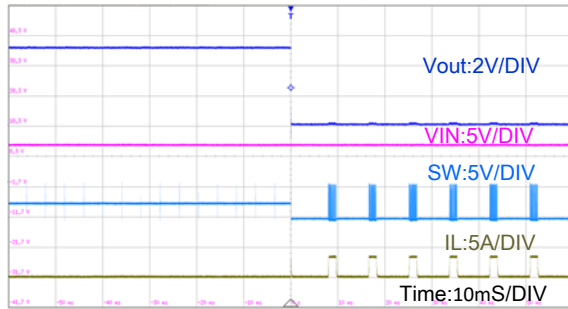


**Typical Performance Characteristic (continued)**

$V_{IN} = 12V$ ,  $V_{OUT} = 5V$ ,  $C1 = 10\mu F$ ,  $C2 = 22\mu F$ ,  $L1 = 10\mu H$ , and  $T_A = +25^\circ C$ , unless otherwise noted.

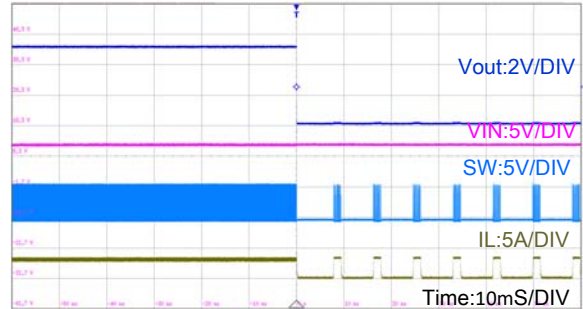
**Short-Circuit Entry**

$I_{OUT} = 0A$



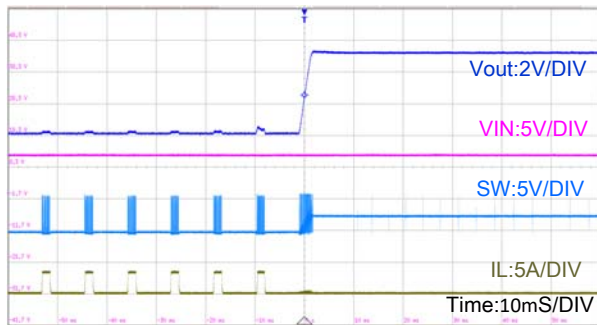
**Short-Circuit Entry**

$I_{OUT} = 3A$



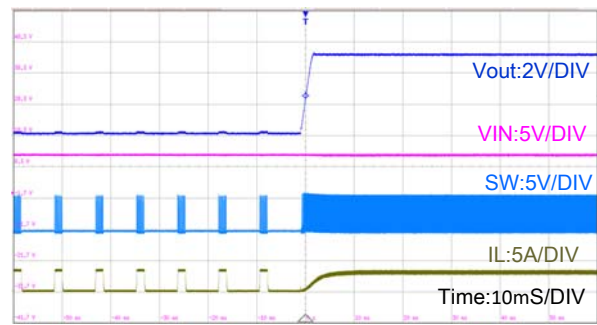
**Short-Circuit Recovery**

$I_{OUT} = 0A$



**Short-Circuit Recovery**

$I_{OUT} = 3A$





## Function Descriptions

### Pulse-Width Modulation (PWM) Control

The HE9430 is fully integrated synchronous rectified step-down switch mode converter. Constant-on-time (COT) control is employed to provide fast transient response and easy loop stabilization. At the beginning of each cycle, the high-side MOSFET (HS-FET) is turned ON when the feedback voltage (VFB) is below the reference voltage (VREF), which indicates insufficient output voltage. The ON period is determined by both the output voltage and input voltage to make the switching frequency fairly constant over input voltage range.

After the ON period elapses, the HS-FET is turned off, or becomes OFF state. It is turned ON again when VFB drops below VREF. By repeating operation this way, the converter regulates the output voltage. The integrated low-side MOSFET (LS-FET) is turned on when the HS-FET is in its OFF state to minimize the conduction loss. To avoid shoot-through, a dead-time (DT) is internally generated between HS-FET off and LS-FET on, or LS-FET off and HS-FET on.

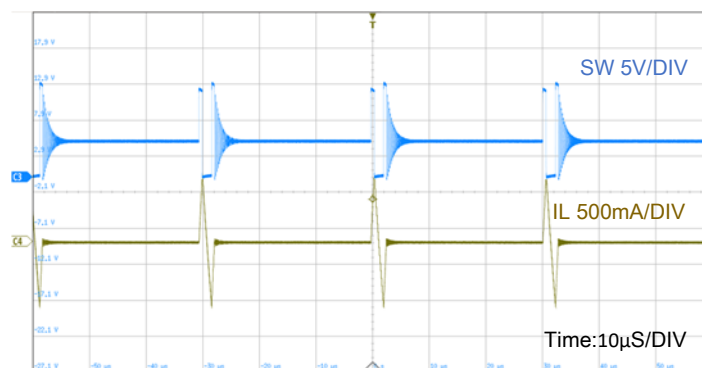
An internal compensation is applied for COT control to make a more stable operation even when ceramic capacitors are used as output capacitors, this internal compensation will then improve the jitter performance without affect the line or load regulation.

With the load decrease, the inductor current decrease too. Once the inductor current touch zero, the operation is transition from continuous-conduction-mode (CCM) to discontinuous-conduction-mode (DCM).

When the HE9430 works in pulse-frequency modulation (PFM) mode during light-load operation, the HE9430 reduces the switching frequency automatically to maintain high efficiency, and the inductor current drops almost to zero. When the inductor current reaches zero, the low-side will be off. The output capacitors discharge slowly to GND through R1 and R2. When VFB drops below the reference voltage, the HS-FET is turned on again. This operation improves device efficiency greatly when the output current is low.

### Light Load Audio Mode

HE9430 employs the audio mode at light load to keep the switching frequency above the audible frequency (20KHz) even at no load condition.

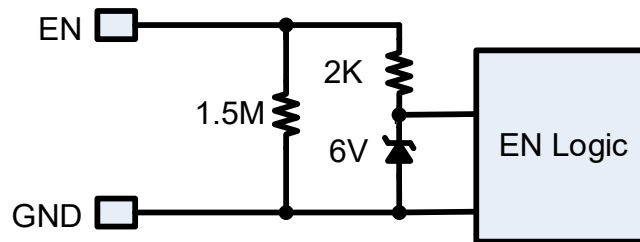


12Vin to 5Vout, Iout=0A

### Enable (EN) Control

Enable (EN) is a digital control pin that turns the regulator on and off. Drive EN high to turn on the regulator. Drive EN low to turn off the regulator. An internal 1.7MΩ resistor from EN to GND allows EN to be floated to shut down the chip. EN is clamped internally using a 6V Zener diode. EN can be connected to VIN directly by a resistor.

The EN Pin can connect to VIN by a pull-up resistor, but EN input current needs to be below 100uA. For example, if VIN=24V, the  $I_{Zener} = (24-6)/R_{PULL-UP} < 100\mu A$ , so,  $R_{PULL-UP} > 180K\Omega$ .



### Under-Voltage Lockout (UVLO)

Under-voltage lockout (UVLO) protects the chip from operating at an insufficient supply voltage. The HE9430 UVLO comparator monitors the input voltage. The UVLO rising threshold is about 4.2V, while its falling threshold is consistently 3.9V.

### Internal Soft Start (SS)

Soft start (SS) prevents the converter output voltage from overshooting during start-up. When the chip starts, the internal circuitry generates a soft-start voltage (VSS) that ramps up from 0V to 1V. When SS is below REF, SS overrides REF, so the error amplifier uses SS as the reference. When SS exceeds REF, the error amplifier uses REF as the reference. The SS time is set to 1.8ms internally.

### Over-Current Protection (OCP) and Short Circuit Protection (SCP)

The HE9430 has a valley current-limit control. During LS-FET on, the inductor current is monitored. If the current is higher than valley current limit, the high side will not turn on again. The output voltage drops until VFB is below the under voltage (UV) threshold (typically 20% below the reference). Once UV is triggered, the HE9430 enters hiccup mode to restart the part periodically.

During OCP, the device attempts to recover from the over-current fault with hiccup mode. In hiccup mode, the chip disables the output power stage, discharges the soft start, and attempts to soft start again automatically. If the over-current condition still holds after the soft start ends, the device repeats this operation cycle until the over-current condition is removed and the output rises back to regulation levels. OCP is a non-latch protection.

Not recommended to use free-wheeling diode to avoid LS MOSFET current false detection and result in current limit run away during over current condition.

### **Pre-Bias Start-Up**

The HE9430 is designed for monotonic start-up into pre-biased loads. If the output is pre-biased to a certain voltage during start-up, the BST voltage is refreshed and charged, and the voltage on the soft start is charged as well. If the BST voltage exceeds its rising threshold voltage and the soft-start voltage exceeds the sensed output voltage at FB, the part works normally.

### **Large Duty Cycle Operation**

When HE9430 will automatically extend the frequency to support the application when VIN is close to VOUT. The frequency extend circuit will be triggered when Toff min time is reached. The V can support up to 98% maximum duty cycle.

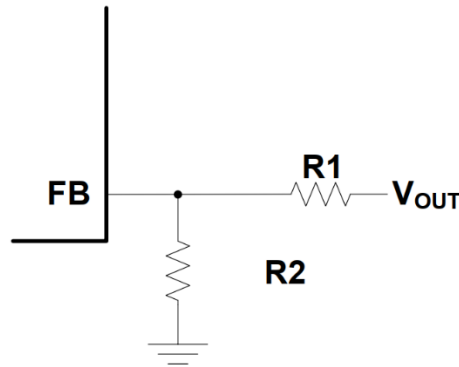
### **Thermal Shutdown**

Thermal shutdown prevents the chip from operating at exceedingly high temperatures. When the silicon die temperature exceeds 150°C, the entire chip shuts down. When the temperature falls below its lower threshold (typically 130°C), the chip is enabled again.

## Application Information

### Setting the Output Voltage

The HE9430 output voltage can be set by the external resistor dividers. The reference voltage is fixed at 0.596V. The feedback network is shown below Figure.



**Feedback Network**

Choose R1 and R2 using Equation:

$$V_{OUT} = V_{FB} (R_1 + R_2) / R_2$$

### Selecting the Inductor

For most applications, use a 3.3μH to 47μH inductor with a DC current rating at least 25% higher than the maximum load current. For the highest efficiency, use an inductor with a small DC resistance.

For most designs, the inductance value can be derived from Equation:

$$L = \frac{V_{OUT} * (V_{IN} - V_{OUT})}{V_{IN} * \Delta I_L * F_{OSC}}$$

Where ΔIL is the inductor ripple current.

Choose the inductor ripple current to be approximately 30% of the maximum load current. The maximum inductor peak current can be calculated with Equation:

$$I_{L(MAX)} = I_{LOAD} + \frac{\Delta I_L}{2}$$

Table 1 lists the recommended feedback resistor values for common output voltages.

**Table 1: Resistor Selection for Common Output Voltages <sup>(7)</sup>**

V <sub>OUT</sub> (V)	R1 (kΩ)	R2 (kΩ)	L (μH)	C <sub>OUT</sub> (uF)
5	15	2	10	47
3.3	9.1	2	10	47

## Selecting the Output Capacitor

The output capacitor (C2, C3) maintains the DC output voltage ripple. Use ceramic, tantalum, or low-ESR electrolytic capacitors. For best results, use low ESR capacitors to keep the output voltage ripple low. The output voltage ripple can be estimated with Equation:

$$\Delta V_{OUT} = \frac{V_{OUT}}{F_{OSC} * L} * \left(1 - \frac{V_{OUT}}{V_{IN}}\right) * \left(R_{ESR} + \frac{1}{8 * F_{OSC} * C_{OUT}}\right)$$

Where L is the inductor value, and R<sub>ESR</sub> is the equivalent series resistance (ESR) value of the output capacitor.

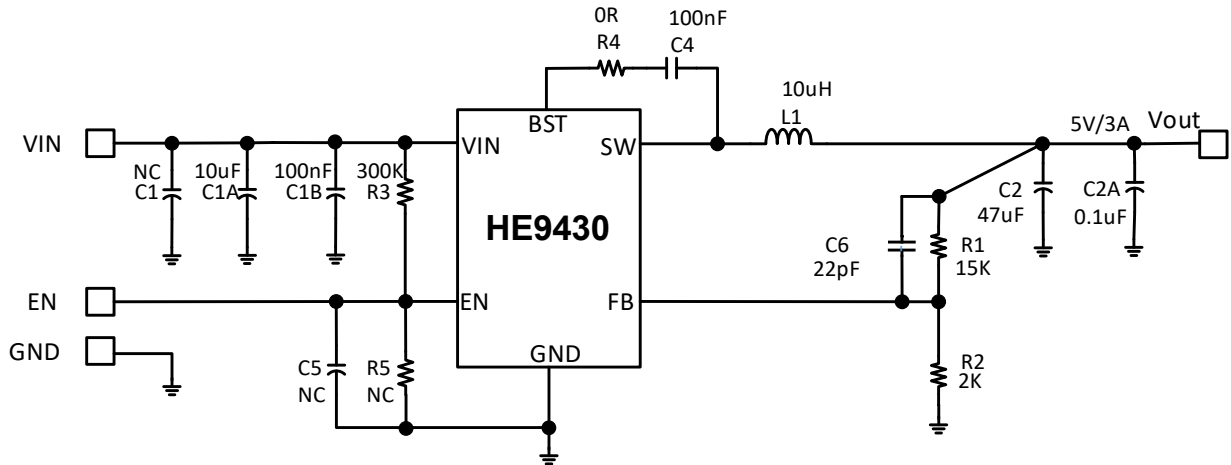
The characteristics of the output capacitor also affect the stability of the regulation system. The HE9430 can be optimized for a wide range of capacitance and ESR values.

## PCB layout Guidelines

Efficient layout of the switching power supplies is critical for stable operation. For the high frequency switching converter, poor layout design may cause poor line or load regulation and stable issues. For best results, refer to below figure and follow the guidelines below.

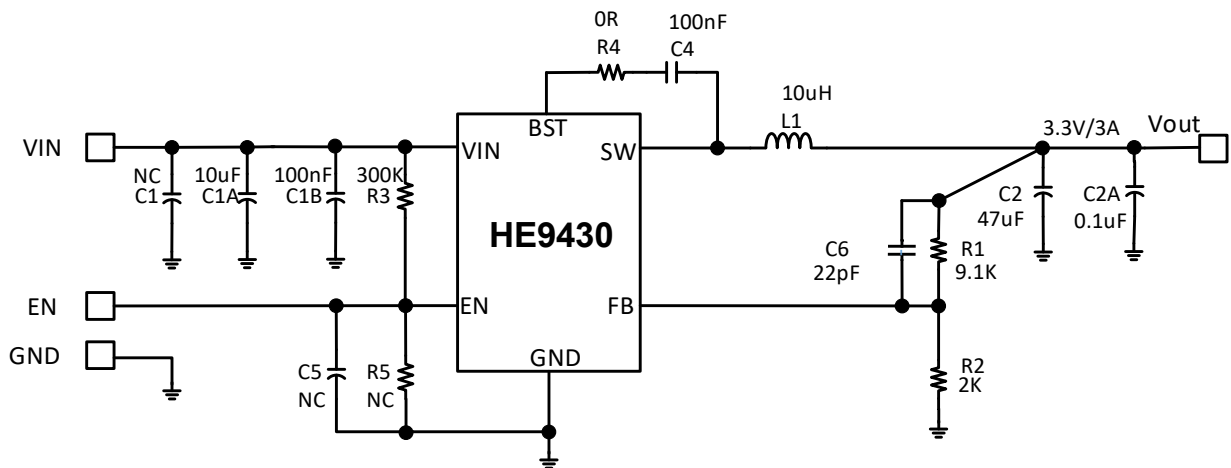
- Place the input capacitor as close to VIN and GND as possible.
- Place the external feedback resistors as close to FB as possible.
- Keep the switching node (such as SW, BST) far away from the feedback network.
- Add a grid of thermal vias under the exposed pad to improve thermal conductivity.

### Typical Application Circuits



Note: C6 is optional for better transient performance.

**VIN=12V    VOUT=5V/3A**

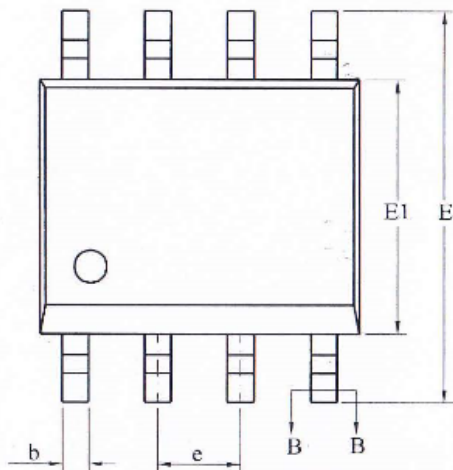
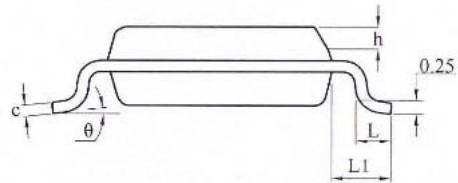
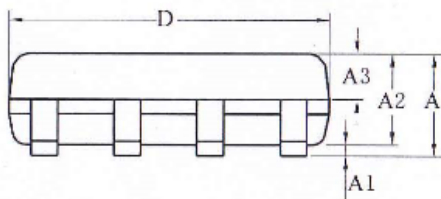
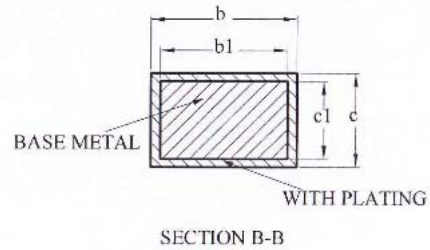
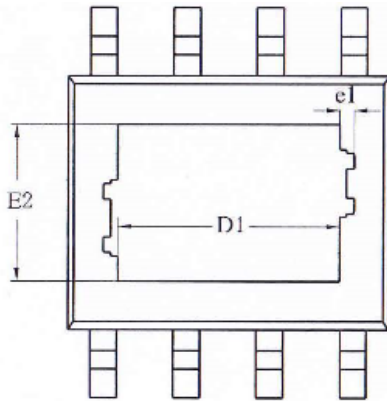


Note: C6 is optional for better transient performance.

**VIN=12V    VOUT=3.3V/3A**

### Detail Package Outline Drawing

Package type: ESOP8



SYMBOL	MILLIMETER		
	MIN	NOM	MAX
A	—	—	1.65
A1	0.05	—	0.15
A2	1.30	1.40	1.50
A3	0.60	0.65	0.70
b	0.39	—	0.47
b1	0.38	0.41	0.44
c	0.20	—	0.24
c1	0.19	0.20	0.21
D	4.80	4.90	5.00
E	5.80	6.00	6.20
E1	3.80	3.90	4.00
e	1.27BSC		
h	0.25	—	0.50
L	0.50	0.60	0.80
L1	1.05REF		
θ	0	—	8°

Size (mil) L/F Size (mil)	D1	E2	e1
90*90	2.09REF	2.09REF	0.16REF
95*130	3.10REF	2.21REF	0.10REF